

JF-XVI-EQ2351-IR2

5MP XVI 5 in 1 Bullet Camera



Features

- ◆ 1/2.7" 5MP CMOS
- ◆ Fixed lens
- ◆ Support coaxial control
- ◆ Support coaxial upgrade
- ◆ Low Illumination
- ◆ XVID/CVI/TVI/CVBS Video Output
- ◆ Protection level is IP67

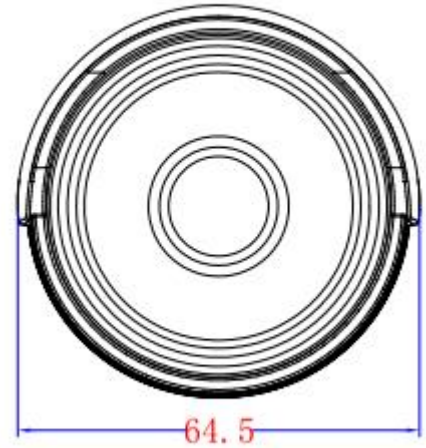
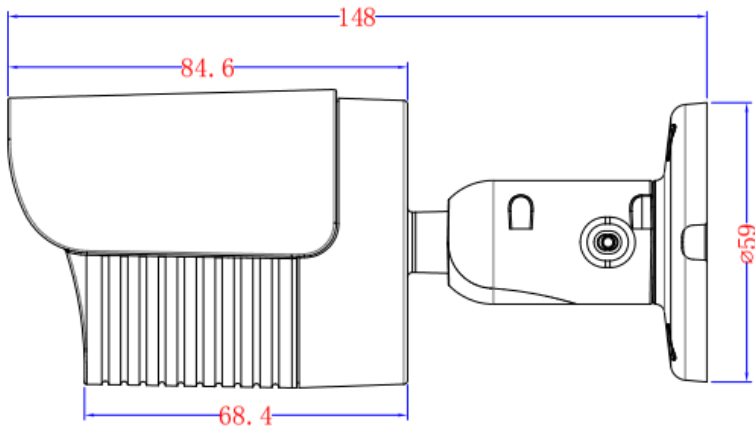
Specification

| Camera | |
|-----------------------|--------------------------------------|
| Model | JF-XVI-EQ2351-IR2 |
| Image Sensor | 1/2.7" 5MP CMOS |
| Min.Illumination | 0.01Lux @F1.2 (Color) |
| | 0.001 Lux @ F1.2 (B&W) |
| Frame Rate | 50Hz:1080P@25fps 60Hz:1080P@30fps |
| Lens | 3.6mm(2.8mm.6mm optical) |
| Day/Night | IR-CUT |
| Max.IR Distance | 30m |
| OSD Menu | UTC Control |
| Wide Dynamic Rang | DWDR |
| Noise Reduction | 2D |
| Interface | |
| Video Output | XVI@5MP, AHD/TVI/CVI@4MP, CVBS |
| Audio In | - |
| Alarm In/Out | - |
| General | |
| Ingression Protection | IP67 |
| Working Temperature | -20°~65° |
| material | Metal |
| Power | DC12V±10% |

JF-XVI-HE2351-IR2

5MP XVI 5 in 1 Bullet Camera

Dimensions



Accessories (optional)

JF TECH Co.,Ltd.
Headquarters(Hangzhou):
Building 9, Yinhu Innovation Center, Hangzhou, China
Business Center(Shenzhen):
A 7th Floor, Block Sakata 5 Avenue and Chong Hing Times Tower Shenzhen
All Rights Reserved • Specifications subject to change without notice.

Website:<http://www.jftech.com>
Tel:+86-0571-23271188
Tel:+86-0755-32898088